

THERMODYNAMIC STEAM TRAPS DT 40S

DESCRIPTION

Thermodynamic DT40S disc steam traps are compact and lightweight-easy to install traps, excellent for high pressure systems, including steam tracing applications. These traps have only one moving part and offer a wide operating range, without adjustment. Connections are female screwed.

MAIN FEATURES

- Intermittent discharge.
- Operates on superheated steam.
- The disc can be easily replaced in field without removing the trap from the line.
- Unaffected by water hammer and vibrations.
- Integral seat .

USE:

Saturated and superheated steam.

AVAILABLE MODELS:

DT 40S

SIZES:

DN3/8" to DN 1"

CONNECTIONS:

Female screwed ISO7/1 Rp (BS21)

INSTALLATION:

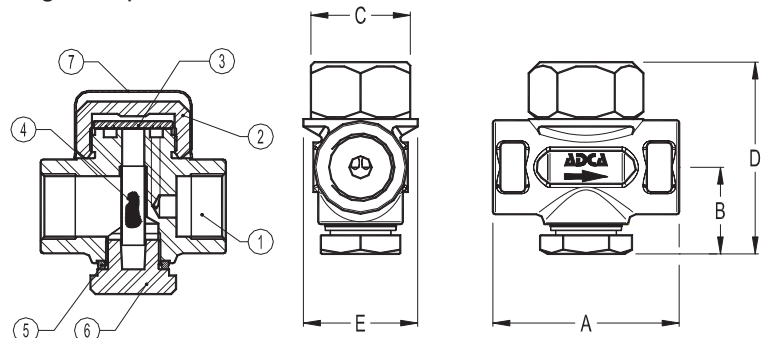
Horizontal installation recommended.
Can be installed in any position.

APPLICATION

LIMITS:

Min-working pressure – 0,25 bar
Max.working back pressure – 80%

PMA – Max.allowable pressure	63 bar
TMA – Max.allowable temperature	400 °C
PMO – Max.operating pressure	40 bar
TMO –Max. Operating temperature	350 °C



DIMENSIONS (mm)						
SIZE DN	A	B	C	D	E	WGT. Kgs
3/8"	70	35	40	73,5	39	0,58
1/2"	70	35	40	73,5	39	0,61
3/4"	75	35	40	77,5	46	0,9
1"	90	35	50	90	52,5	1,3

POS.Nr.	DESIGNATION	MATERIAL
1	Body	AISI 420
2	Cover	AISI 304
3	* Disc	AISI 420
4	* Strainer screen	AISI 304
5	* Gasket	St.St./Graphite
6	Strainer cap	AISI 304
7	* Insulating cap	AISI 304

*Available spare parts.

FLOW RATE CAPACITY IN Kgs/h

MODEL	SIZE	DIFFERENTIAL PRESSURE (bar)												
		0,5	1	3	6	9	12	15	18	21	24	30	35	40
DT 40S	3/8"	80	85	115	150	190	210	250	300	310	350	420	490	510
DT 40S	1/2"	140	170	250	330	400	490	500	580	605	690	720	800	820
DT 40S	3/4"	190	225	345	480	590	700	750	810	900	990	1100	1300	1390
DT 40S	1"	290	350	500	700	830	995	1200	1290	1320	1500	1750	1800	1995

THERMODYNAMIC STEAM TRAPS DT 42 S

DESCRIPTION

Thermodynamic DT42S disc steam traps are compact and lightweight-easy to install traps, excellent for high pressure systems, including steam tracing applications.

These traps have only one moving part and offer a wide operating range, without adjustment. Connections are female screwed or flanged.

MAIN FEATURES

Intermittent discharge.

Operates on superheated steam.

The seat and the disc can be easily replaced in field without removing the trap from the line.

Unaffected by waterhammer and vibrations.

Built-in, easy-to-clean strainer.

OPTIONS: Insulating cap.
Blow-off valve.

USE : Saturated and superheated steam.

AVAILABLE

MODELS : DT42 S

SIZES : 1/2", 3/4" and 1".

CONNECTIONS : Female screwed ISO 7/1 Rp (BS21)
Flanged DIN. Special flanges upon request.

INSTALLATION : Horizontal instalation recommended.
Can be installed in any position.
See IMI installation and maintenance instructions.

APPLICATION Min.working pressure - 0,25 bar

LIMITS : Max.working back pressure - 80%

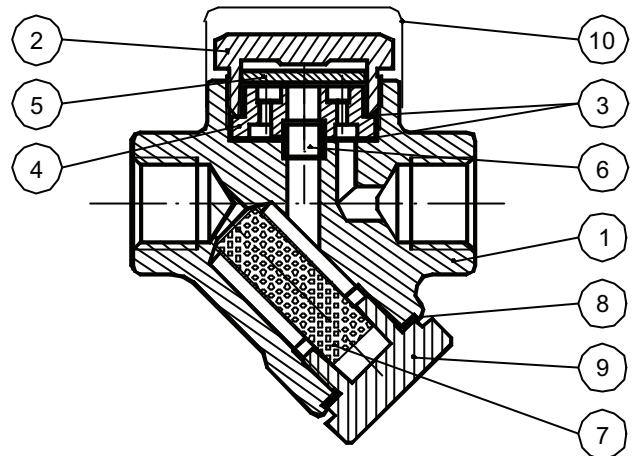
PMA: Max.allowable pressure 63 bar

TMA: Max.allowable temperature 400 °C

PMO: Max.operating pressure 42 bar

TMO: Max.operating temperature 400 °C

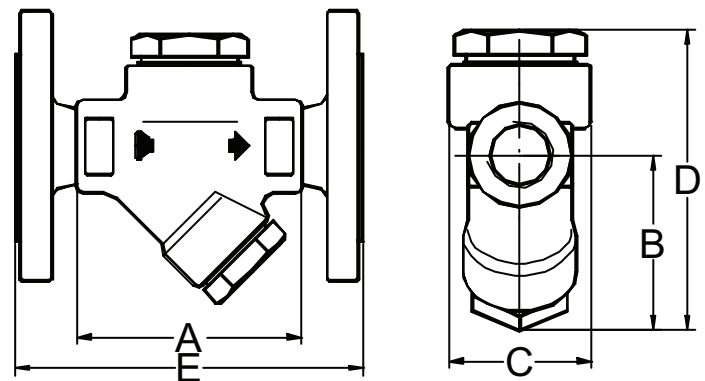
How to order : i.e. DT42 S DN 1/2" BSP



MATERIALS:

POS.NR.	DESIGNATION	MATERIAL
1	BODY	C 22.8(Eq.A105)
2	COVER	STAINLESS STEEL
3 *	GASKET	PURE GRAPHITE
4 *	SEAT	AISI 431
5 *	DISC	AISI 431
6 *	TUBE	AISI 316
7 *	STRAINER SCREEN	AISI 304
8 *	GASKET	ST.STEEL/GRAPHITE
9	PLUG	C 22.8(Eq.A 105)
10 *	INSULATING CAP	STAINLESS STEEL

* AVAILABLE SPARE PARTS



DIMENSIONS (mm)

SIZE	SCREWED ENDS				WEIGHT	DIN FLANGES	
	A	B	C	D		E	WEIGHT
DN					Kg		Kg
1/2"	80	56	46	96	1	150	2.5
3/4"	80	58	52	105	1,2	150	3.3
1"	100	65	62	115	1,8	160	4,4

FLOW RATE CAPACITY IN Kg/h

MODEL	SIZE	DIFFERENTIAL PRESSURE (bar)												
		0.5	1	3	6	9	12	15	18	21	24	30	35	42
DT42 S	1/2"	200	210	350	480	580	660	740	800	850	910	1020	1100	1200
DT42 S	3/4"	310	320	520	720	860	980	1050	1175	1220	1350	1500	1600	1750
DT42 S	1"	470	485	800	1100	1310	1500	1750	1800	1950	2100	2300	2480	2720

Recommended safety factor: continuous service = 1.2 - 1.5 ; discontinuous service = 2.

INVERTED BUCKET STEAM TRAPS IB 12

DESCRIPTION

IB 12 series inverted bucket steam traps are recommended for all services where the most important requirements are overall operating efficiency and long, trouble-free service life.

They operate intermittently, either wide open or tightly closed and are therefore best suited for service at medium and high steam pressures. Connections are female screwed horizontal.

MAIN FEATURES

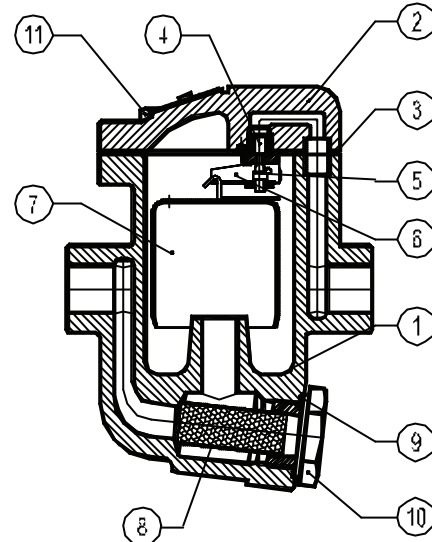
- Intermittent discharge.
- Discharges condensate at steam temperature.
- Unaffected by waterhammer and vibrations.
- Easy to maintain.
- Built-in strainer.

USE : Saturated and superheated steam.
 AVAILABLE MODELS : IB12-4 ; IB12-8 - IB12-12.
 SIZES : 1/2" and 3/4"
 CONNECTIONS : Female screwed ISO 7/1 Rp (BS21)
 INSTALLATION : Horizontal installation.
 See IMI, installation and maintenance instructions.

MAX.D.PRESS.: IB12- 4 - 4 bar
 IB12- 8 - 8 bar
 IB12-12 -12 bar

PMA :Max.allowable pressure 16 bar
 TMA: Max.allowable temperature 250 °C
 PMO: Max.operating pressure 14 bar
 TMO: Max.operating temperature 230 °C

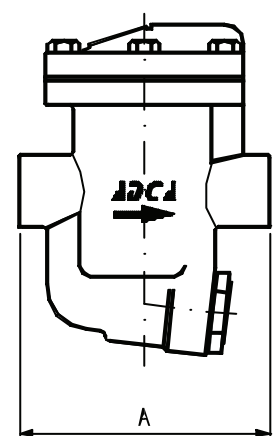
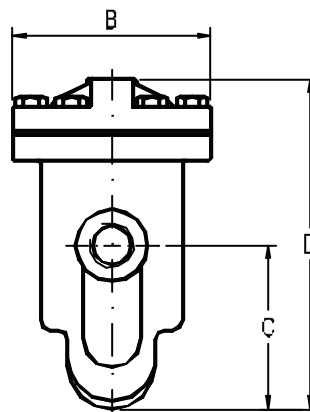
How to order : i.e. IB12-12 DN 1/2" BSP



MATERIALS:

POS.NR.	DESIGNATION	MATERIAL
1	BODY	GGG40
2	COVER	GGG40
3 *	GASKET	NON ASBESTOS
4 *	SEAT	AISI 410
5 *	VALVE	AISI 410
6 *	LEVER	AISI 304
7 *	BUCKET	AISI 304
8 *	STRAINER SCREEN	AISI 304
9	GASKET	316/GRAPHITE
10	PLUG	C22.8
11	BOLTS	STEEL 8.8

* AVAILABLE SPARE PARTS



FLOW RATE CAPACITY IN Kg/h

MODEL	SIZE	DIFFERENTIAL PRESSURE (bar)									
		1	2	3	4	5	6	7	8	10	12
IB12-4	1/2"-3/4"	280	390	470	530						
IB12-8	1/2"-3/4"	190	260	320	360	400	430	460	500		
IB12-12	1/2"-3/4"	160	220	260	290	320	360	370	400	440	490

DIMENSIONS (mm)					
SIZE	A	B	C	D	WEIGHT
DN					Kg
1/2"	130	102	85	170	3,9
3/4"	130	102	85	170	3,9

Recommended safety factor: continuous service = 1.2 - 1.5 ; discontinuous service = 2-3.

INVERTED BUCKET STEAM TRAPS IBB 12

DESCRIPTION

IBB 12 series inverted bucket steam traps are recommended for all services where the most important requirements are overall operating efficiency and long, trouble-free service life.

They operate intermittently, either wide open or tightly closed and are therefore best suited for service at medium and high steam pressures. Connections are female screwed horizontal.

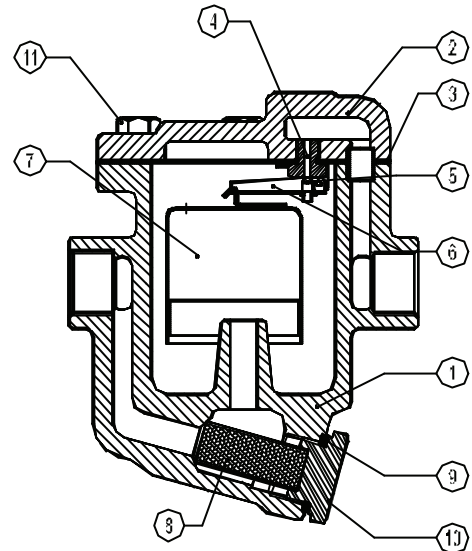
MAIN FEATURES

- Intermittent discharge.
- Discharges condensate at steam temperature.
- Unaffected by waterhammer and vibrations.
- Easy to maintain.
- Built-in strainer.

- USE : Saturated and superheated steam.
- AVAILABLE MODELS : IBB12-4 ; IBB12-8 - IBB12-12.
- SIZES : 3/4" and 1"
- CONNECTIONS : Female screwed ISO 7/1 Rp (BS21)
- INSTALLATION : Horizontal installation.
See IMI, installation and maintenance instructions.
- MAX.D.PRESS.: IBB12- 4 - 4 bar
IBB12- 8 - 8 bar
IBB12-12 -12 bar

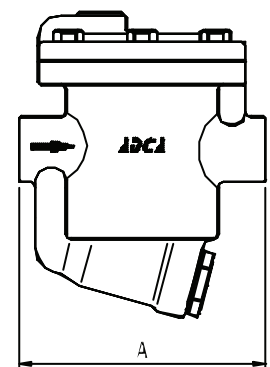
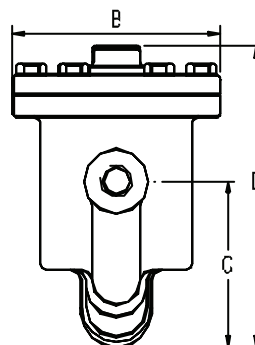
- PMA :Max.allowable pressure 16 bar
TMA: Max.allowable temperature 250 °C
PMO: Max.operating pressure 14 bar
TMO: Max.operating temperature 230 °C

How to order : i.e. IBB12-8 DN 1" BSP



MATERIALS:		
POS.NR.	DESIGNATION	MATERIAL
1	BODY	GGG40
2	COVER	GGG40
3 *	GASKET	NON ASBESTOS
4 *	SEAT	AISI 410
5 *	VALVE	AISI 410
6 *	LEVER	AISI 304
7 *	BUCKET	AISI 304
8 *	STRAINER SCREEN	AISI 304
9	GASKET	316/GRAPHITE
10	PLUG	C22.8
11	BOLTS	STEEL 8.8

* AVAILABLE SPARE PARTS



FLOW RATE CAPACITY IN Kg/h

MODEL	SIZE	DIFFERENTIAL PRESSURE (bar)														
		0.5	1	2	3	4	5	6	7	8	10	11	12	13	15	17
IBB12-4	3/4"-1"	790	1090	1380	1550	1670										
IBB12-8	3/4"-1"	520	725	910	1030	1100	1160	1210	1250	1290						
IBB12-12	3/4"-1"	410	570	720	810	860	920	950	985	1010	1060	1080	1100	1120	1150	1690

DIMENSIONS (mm)					
SIZE	A	B	C	D	WEIGHT
DN					Kg
3/4"	175	150	127	219	7
1"	175	150	127	219	6,9

Recommended safety factor: continuous service = 1.2 - 1.5 ; discontinuous service = 2-3.

INVERTED BUCKET STEAM TRAPS IB30S (Carbon steel / stainless steel) IB30SS (All stainless steel)

DESCRIPTION

IB 30 series inverted bucket steam traps are recommended for all services where the most important requirements are overall operating efficiency and long, trouble-free service life. They operate intermittently, either wide open or tightly closed and are therefore best suited for service at medium and high steam pressures.

Connections are female screwed or flanged .

MAIN FEATURES

- Intermittent discharge.
- Discharges condensate at steam temperature.
- Unaffected by water hammer and vibrations.
- Easy to maintain.

USE: Saturated and superheated steam.

AVAILABLE

MODELS: IB30S and IB30SS

SIZES: IB30S-DN ½" -DN1" ;DN15 - DN25
IB30SS-DN ½" -DN3/4" ;DN15 - DN20

CONNECTIONS: Female screwed ISO7/1 Rp (BS21)

Flanged DIN or ANSI

INSTALLATION: Horizontal installation
See IMI installation and maintenance instructions.

PMA – Max.allowable pressure 40 bar

TMA – Max.allowable temperature 425 °C

PMO – Max.operating pressure 27 bar

TMO – Max.operating temperature 380 °C

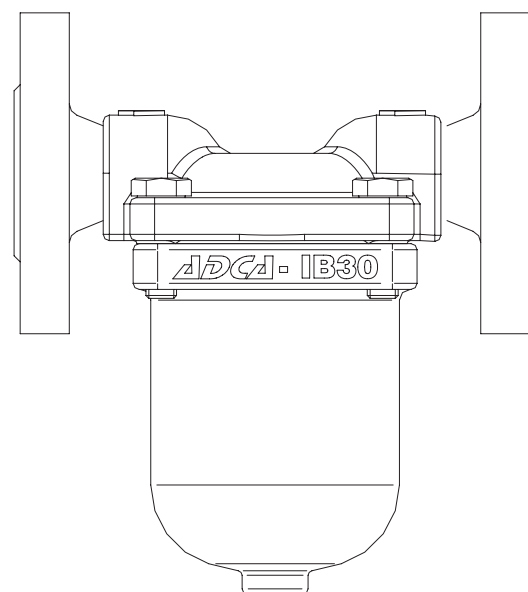
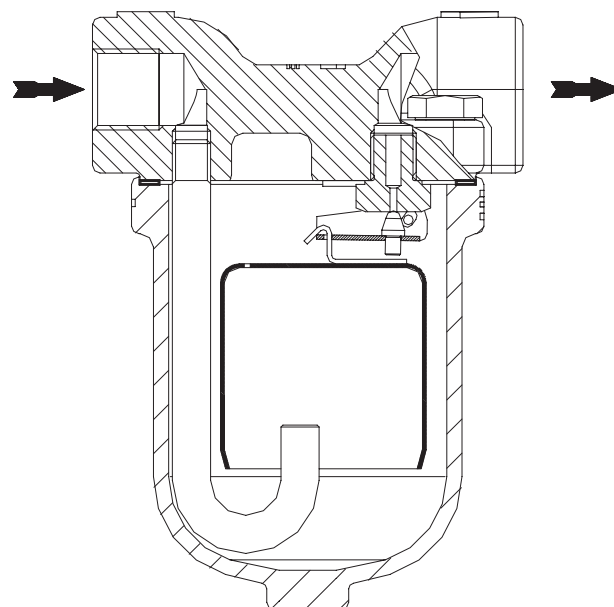
How to order:i.e. IB30S-8 DN ½" BSP

MAX. DIFFERENTIAL PRESSURE

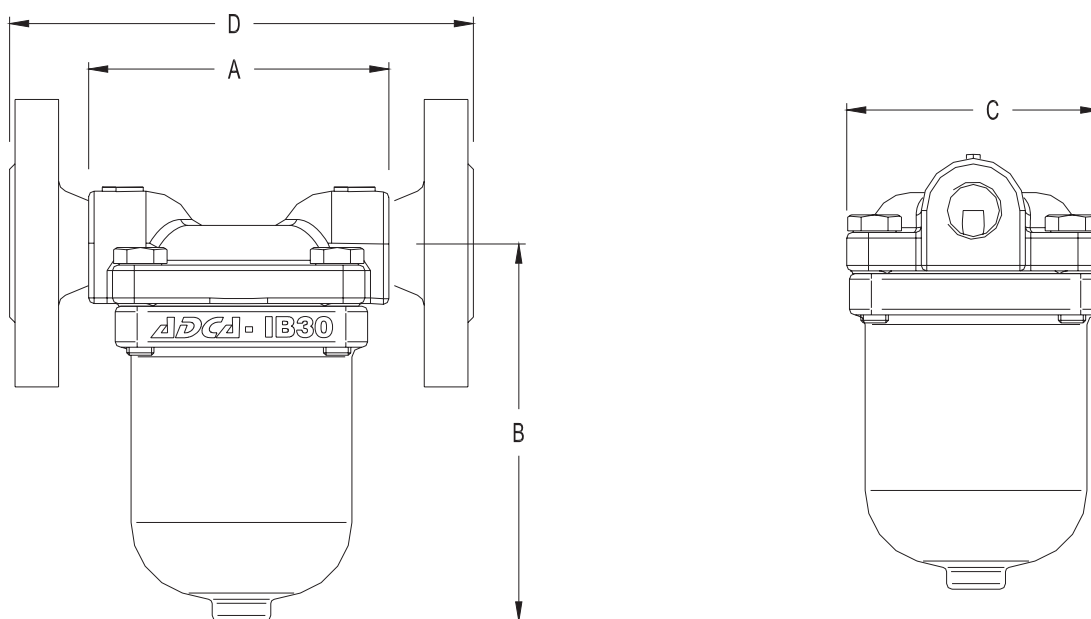
IB30S-4 – IB30SS-4 : 4 bar

IB30S-8 – IB30SS-8 : 8 bar

IB30S-12 – IB30SS-12: 12 bar



MODEL	SIZE	DIFFERENTIAL PRESSURE (bar)											
		1	2	3	4	5	6	7	8	10	11	12	
IB30-4	15 - 25	280	390	470	530								
IB30-8	15 - 25	190	260	320	360	400	430	460	500				
IB30-12	15 - 25	160	220	260	290	320	360	370	400	440	480	490	

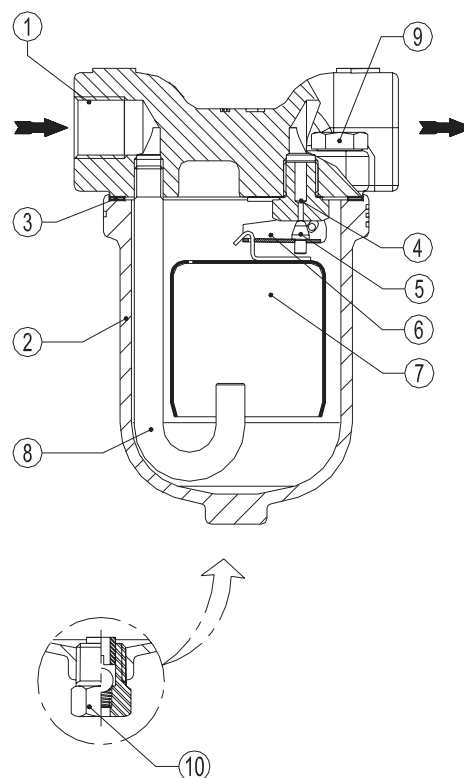


DIMENSIONS (mm)				DIN Flanges		
SIZE DN	A	B	C	WGT. Kgs	D	WGT. Kgs
15	110	125	92	2,3	170	3,8
20	110	125	92	2,3	170	4,3
25	110	125	92	2,3	180	4,9

POS.Nr.	DESIGNATION	MATERIAL
1	Body	C22.8 / AISI 316
2	Cover	AISI 316
3 *	Gasket	Non asbestos
4 *	Seat	AISI 410
5 *	Valve	AISI 410
6 *	Lever	AISI 304
7 *	Bucket	AISI 304
8	Inlet tube	AISI 304
9	Bolts	Steel 8.8 / A2
10**	Anti-freeze device	AISI 304

* Available spare parts

**Optional



INVERTED BUCKET STEAM TRAPS IB35S (Carbon steel / stainless steel) IB35SS (All stainless steel)

DESCRIPTION

IB 35 series inverted bucket steam traps are recommended for all services where the most important requirements are overall operating efficiency and long, trouble-free service life. They operate intermittently, either wide open or tightly closed and are therefore best suited for service at medium and high steam pressures.

Connections are female screwed or flanged .

MAIN FEATURES

- Intermittent discharge.
- Discharges condensate at steam temperature.
- Unaffected by water hammer and vibrations.
- Easy to maintain.

USE: Saturated and superheated steam.

AVAILABLE

MODELS: IB35S and IB35SS

SIZES: IB35S-DN ½" -DN1" ;DN15 - DN25
IB35SS-DN ½" –DN3/4" ;DN15 - DN20

CONNECTIONS: Female screwed ISO7/1 Rp (BS21)

Flanged DIN or ANSI

INSTALLATION: Horizontal installation
See IMI installation and maintenance instructions.

PMA – Max.allowable pressure 40 bar

TMA – Max.allowable temperature 425 °C

PMO – Max.operating pressure 27 bar

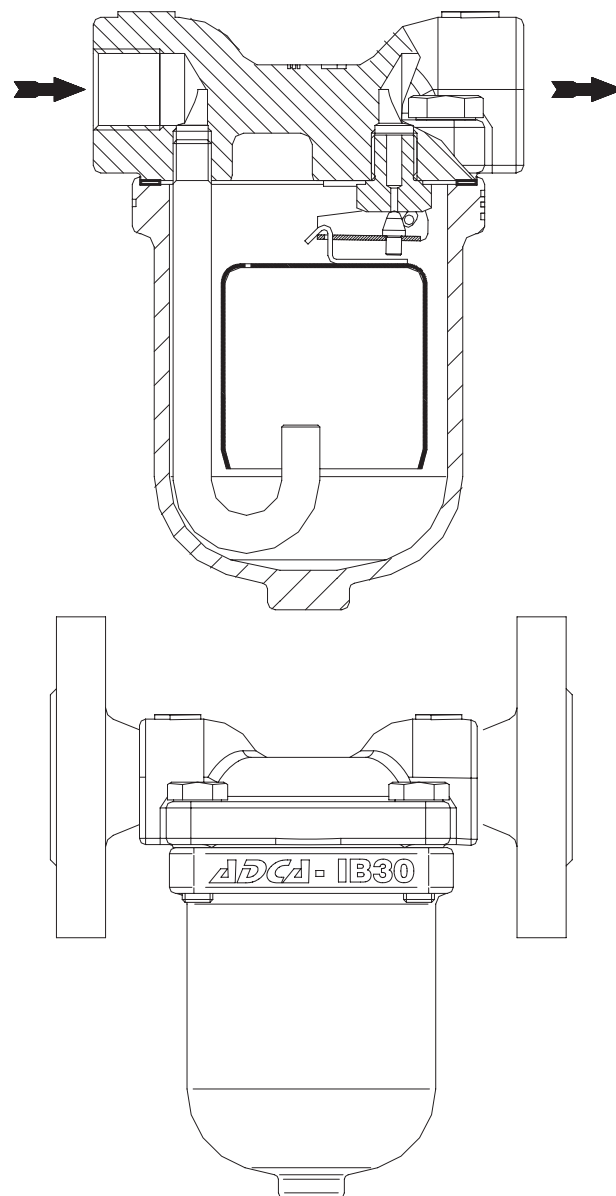
TMO – Max.operating temperature 380 °C

How to order:i.e. IB35S-17 DN ½" BSP

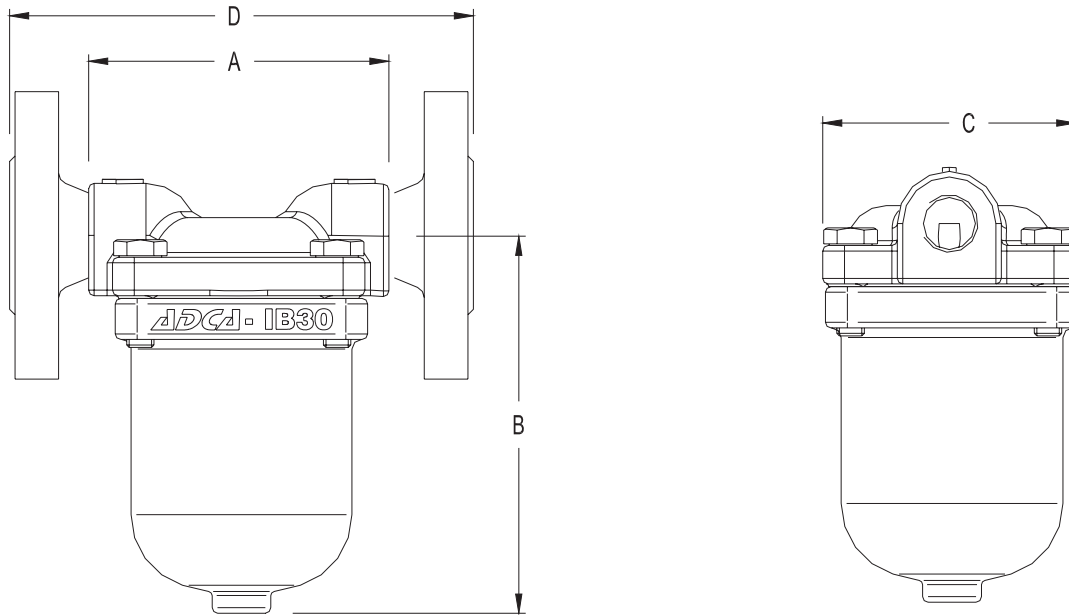
MAX. DIFFERENTIAL PRESSURE

IB35S-17 – IB35SS-17 : 17 bar

IB35S-27 – IB35SS-27 : 27 bar



		FLOW RATE CAPACITY IN Kgs/h																
MODEL	SIZE	DIFFERENTIAL PRESSURE (bar)																
		1	2	3	4	5	6	7	8	10	11	12	14	17	20	22	24	27
IB35-17	15 - 25	140	180	200	215	225	235	240	250	265	270	275	280	400				
IB35-27	15 - 25	80	100	115	120	125	132	137	140	150	153	155	158	233	240	245	250	255

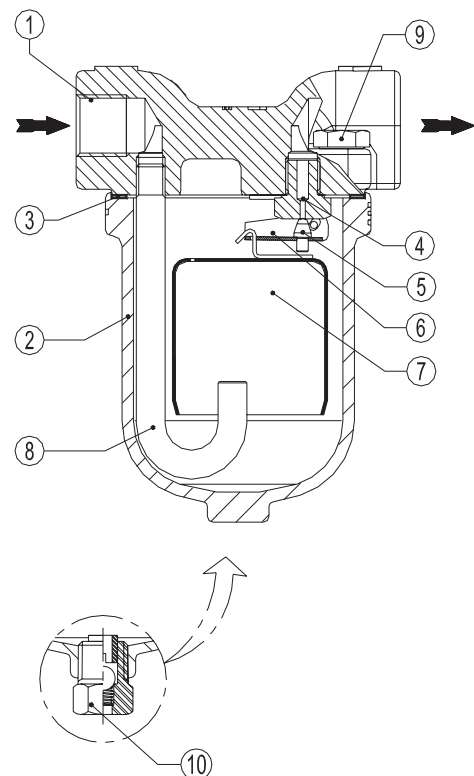


DIMENSIONS (mm)				DIN Flanges		
SIZE DN	A	B	C	WGT. Kgs	D	WGT. Kgs
15	110	125	92	2,3	170	3,8
20	110	125	92	2,3	170	4,3
25	110	125	92	2,3	180	4,9

POS.Nr.	DESIGNATION	MATERIAL
1	Body	C22.8 / AISI 316
2	Cover	AISI 316
3 *	Gasket	Non asbestos
4 *	Seat	AISI 410
5 *	Valve	AISI 410
6 *	Lever	AISI 304
7 *	Bucket	AISI 304
8	Inlet tube	AISI 304
9	Bolts	Steel 8.8 / A2
10**	Anti-freeze device	AISI 304

* Available spare parts

**Optional



THERMOSTATIC STEAM TRAPS AND AIR ELIMINATORS TH 21 (Forged Steel)

DESCRIPTION

The TH 21 series thermostatic steam traps and air eliminators are specifically designed for use on process equipment such as kettle cookers, sterilizers, food, chemical and laundry equipment.

Connections are female screwed or flanged.

MAIN FEATURES

Modulating discharge.

Discharges condensate close to steam temperature.

Thermostats for different subcooling (5°K to 30°K).

Excellent air discharge .

Operates on moderate superheated steam.

Built-in strainer.

OPTIONS: LC-low capacity
USE : Saturated steam.

AVAILABLE

MODELS : TH 21; TH 21LC - Forged steel

SIZES : DN 1/2" - DN15

CONNECTIONS : Female screwed ISO 7/1 Rp (BS21)
Flanged DIN. Special flanges upon request.

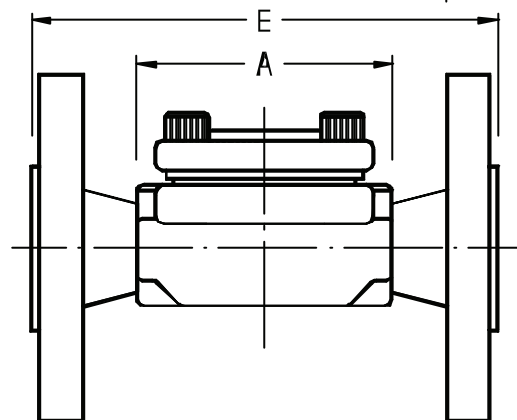
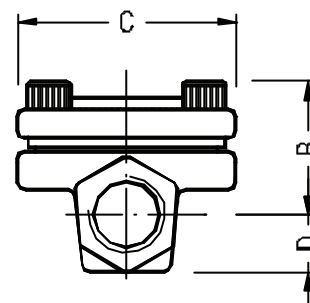
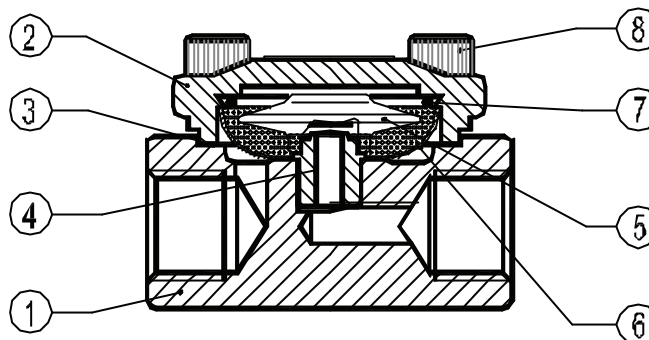
INSTALLATION : Horizontal or vertical installation .
See IMI, installation and maintenance instructions.

PMA : Max. allowable pressure 21 bar
TMA : Max. allowable temperature 300 °C
PMO : Max. operating pressure 21 bar
TMO : Max. operating temperature 250 °C

MATERIALS TH21

POS.NR.	DESIGNATION	MATERIAL
1	BODY	C 22.8
2	COVER	C 22.8
3*	GASKET	GRAPHITE
4*	SEAT	STAINLESS STEEL
5*	THERMOSTATIC ELEMENT	STAINLESS STEEL
6*	STRAINER SCREEN	STAINLESS STEEL
7*	SPRING	STAINLESS STEEL
8	BOLTS	STEEL 8.8

* AVAILABLE SPARE PARTS .



TH 21 - DIMENSIONS (mm)

SIZE	SCREWED ENDS				WEIGHT	DIN FLANGES	
	A	B	C	D		E	WEIGHT
DN					Kg		Kg
1/2"	70	35	60	15	0,7	130	2,2

FLOW RATE CAPACITY IN Kg/h

MODEL	SIZE	DIFFERENTIAL PRESSURE (bar)														
		0.2	0.3	0.5	1	1.5	2	3	4	6	8	10	13	15	20	22
TH 21	1/2"	70	120	140	255	330	385	455	510	600	670	700	720	750	775	795
TH21 LC	1/2"	45	55	70	95	125	135	180	200	270	315	330	360	370	405	415

Capacities shown refer to condensate at 10°C below saturated steam temperature (standard type-S thermostat) .
Thermostats for 5° C type-H and 30° type-L, also available.

Capacities for cold condensate discharge at 20°C are two to three times greater .

Recommended Safety factor = 1.2 - 1.5 ; How to order : i.e. TH 21 DN 1/2" BSP